

ULTRASeal 150



METAL BELLOWS SEAL



*Solutions to Mechanical
Seal Problems*

THROUGH INNOVATIVE ENGINEERING AND EXPERT TECHNICAL SERVICE



ULTRA Seal 150

METAL BELLOWS SEAL

Advantages

- **STATIC O-RING WILL NOT FRET OR HANG UP** eliminating damage to shaft or sleeve.
- **CAN BE CARTRIDGE MOUNTED** to fit many applications for fast, easy installation, eliminating costly installation mistakes.
- **COMPACT DESIGN** fits virtually any stuffing box.
- **BELLOWS IS INHERENTLY BALANCED** eliminating the need for a step in the shaft or sleeve.
- **SELF-CLEANING BELLOWS** due to centrifugal action. There are no springs to clog or hang up.
- **WIDE RANGE OF PRESSURES AND TEMPERATURES** to 300 PSI and 500°F.*
- **IN-HOUSE STATE-OF-THE-ART TECHNOLOGY** is used for design and welding of PPC's metal bellows.

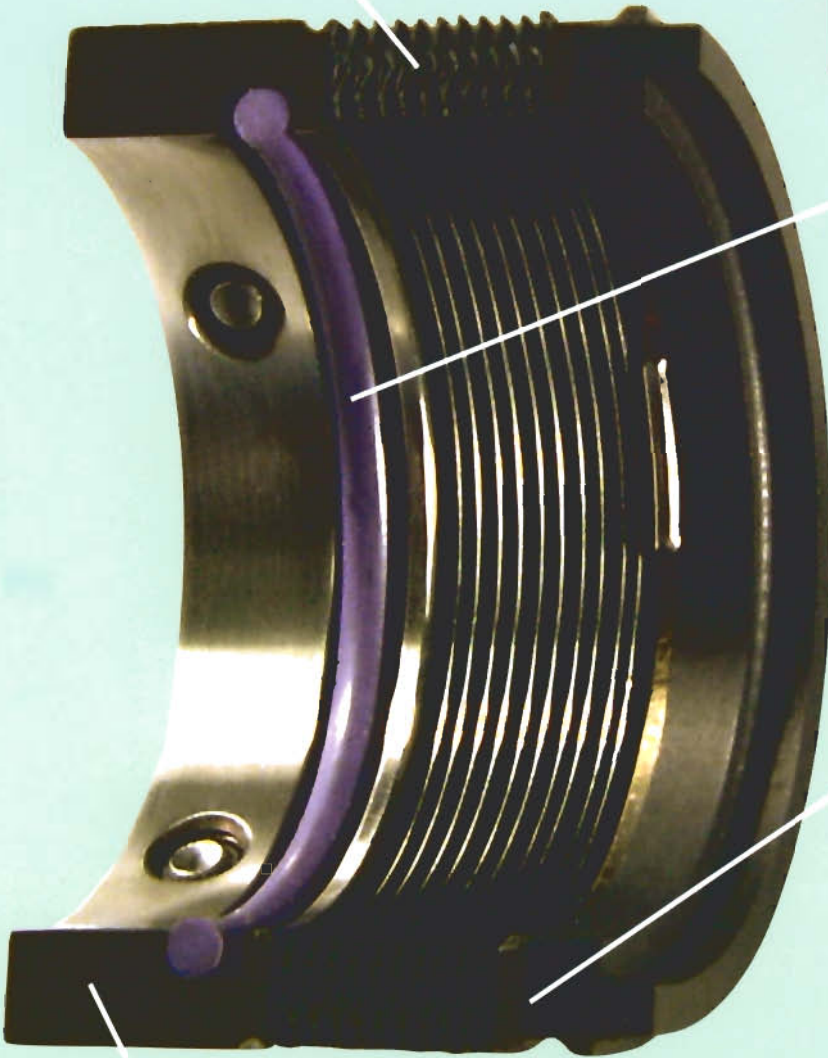
MATERIALS OF CONSTRUCTION

METAL PARTS	ELASTOMERS	ROTARY FACE	STATIONARY FACE
Standard: 316SS/AM350 Bellows	EP	Carbon	Tungsten Carbide
Options: Alloy C-276 or A-20	FKM	Tungsten Carbide	Silicon Carbide
	FFKM	Silicon Carbide	

* Dependent upon face combination, shaft speed and size. For specific applications or those outside the listed parameters, contact your local PPC representative.

BELLOWS. Durable welded bellows features a double-rippled nesting design. It provides even face loading with excellent pressure handling capabilities.

STATIC O-RING. No fretting, no damage to shaft or sleeve.



INSERT HOLDER has a unique design feature providing uniform pressure on insert thus maintaining face flatness.

COLLAR which houses static o-ring also contains four set screws for outstanding holding

TECHNICAL DATA

Temperature:	-100° F to 500° F
Pressure:	300 PSI, depending on size, speed
Speed:	Up to 4500 FPM

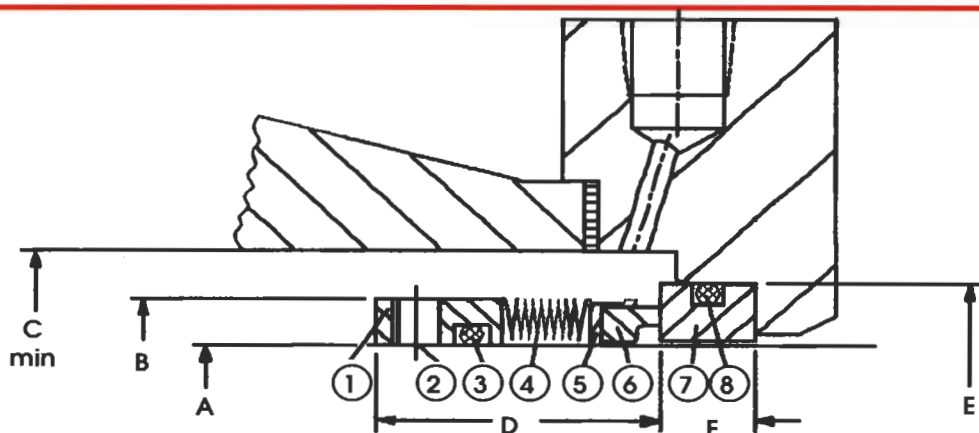
Solutions to Mechanical Seal Problems

THROUGH INNOVATIVE ENGINEERING AND EXPERT TECHNICAL SERVICE



ULTRA Seal 150

ITEM	DESCRIPTION
1	Bellows Collar
2	Set Screws
3	O-Ring
4	Bellows
5	Insert Holder
6	Insert
7	Seat
8	O-Ring



THE ULTRA SEAL 150 IS AVAILABLE IN ALL SIZES FROM 1.000" TO 4.000"

A	B	C min	D	E	F
1.000	1.510	1.562	1.25	1.625	.44
1.125	1.688	1.750	1.25	1.750	.44
1.250	1.813	1.875	1.31	1.875	.44
1.375	1.938	2.000	1.44	2.000	.44
1.500	2.063	2.188	1.44	2.125	.44
1.625	2.188	2.313	1.44	2.375	.50
1.750	2.313	2.438	1.44	2.500	.50
1.875	2.438	2.562	1.50	2.625	.50
2.000	2.562	2.688	1.50	2.750	.50
2.125	2.688	2.813	1.50	3.000	.56
2.250	2.813	2.938	1.56	3.125	.56
2.375	2.938	3.063	1.56	3.250	.56
2.500	3.188	3.313	1.56	3.375	.56
2.625	3.313	3.438	1.62	3.375	.62
2.750	3.438	3.562	1.62	3.500	.62
2.875	3.625	3.750	1.69	3.750	.62
3.000	3.750	3.875	1.69	3.875	.62
3.125	3.875	4.000	1.75	4.000	.78
3.250	4.000	4.125	1.75	4.125	.78
3.375	4.125	4.250	1.75	4.250	.78
3.500	4.250	4.375	1.88	4.375	.78
3.625	4.375	4.500	1.88	4.500	.78
3.750	4.500	4.625	1.88	4.625	.78
3.875	4.625	4.750	1.88	4.750	.78
4.000	4.750	4.875	1.88	4.875	.78

Also available in standard metric sizes

WARRANTY: PPC seals and seal parts are guaranteed to be free from defects in material and workmanship and are guaranteed to render satisfactory service when used for the purpose for which they are designed.



Baton Rouge
 P.O. Box 52915 - 2769 Mission Drive
 Baton Rouge, LA 70805
 225 356-4333 1 800 731-7325 FAX 225 355-2126
www.ppcmechanicalseals.com