

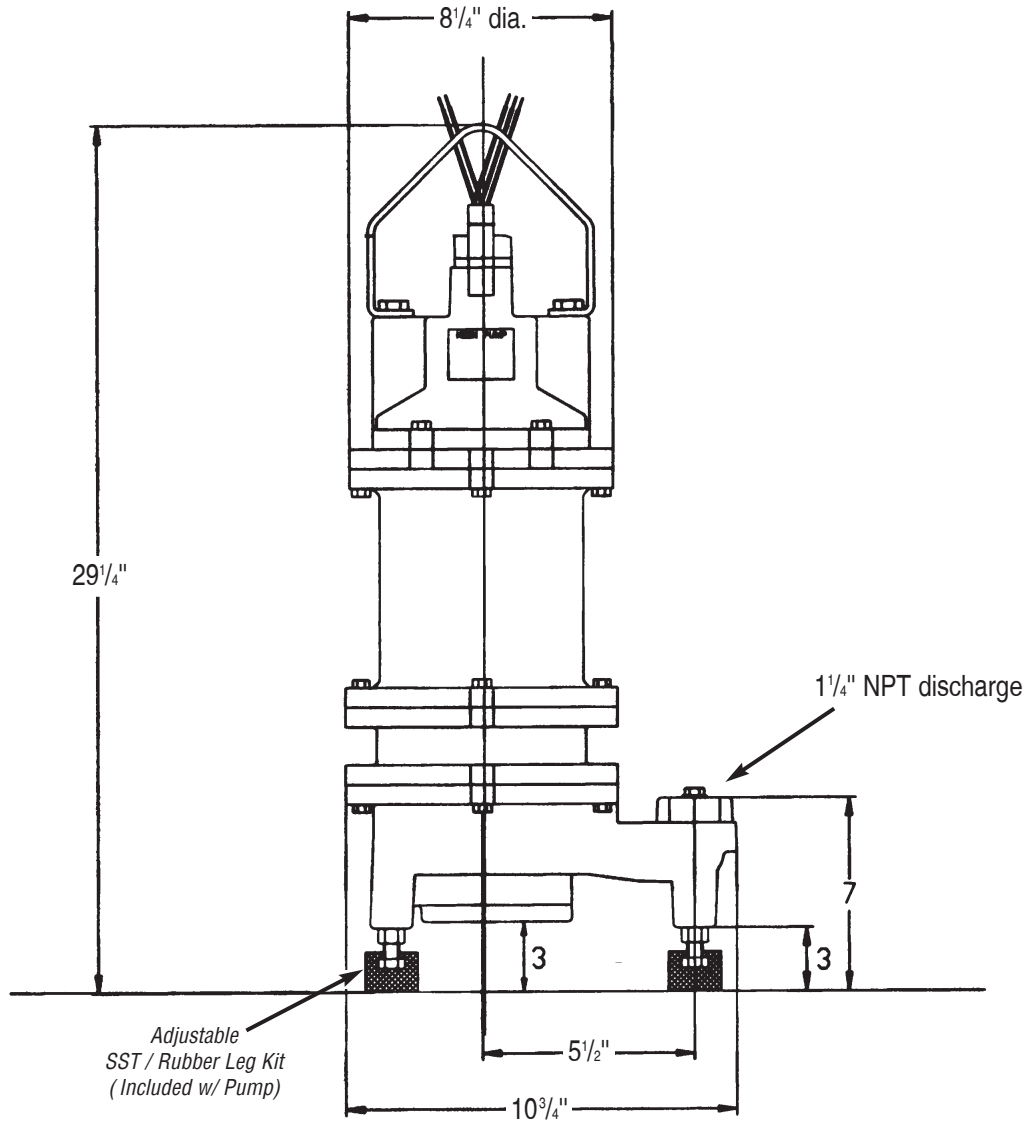
**Dimensions**

Project: \_\_\_\_\_ Model: \_\_\_\_\_ Chk'd: \_\_\_\_\_ Date: \_\_\_\_\_

**Model EB(H)G**

2 HP

Unit: inch



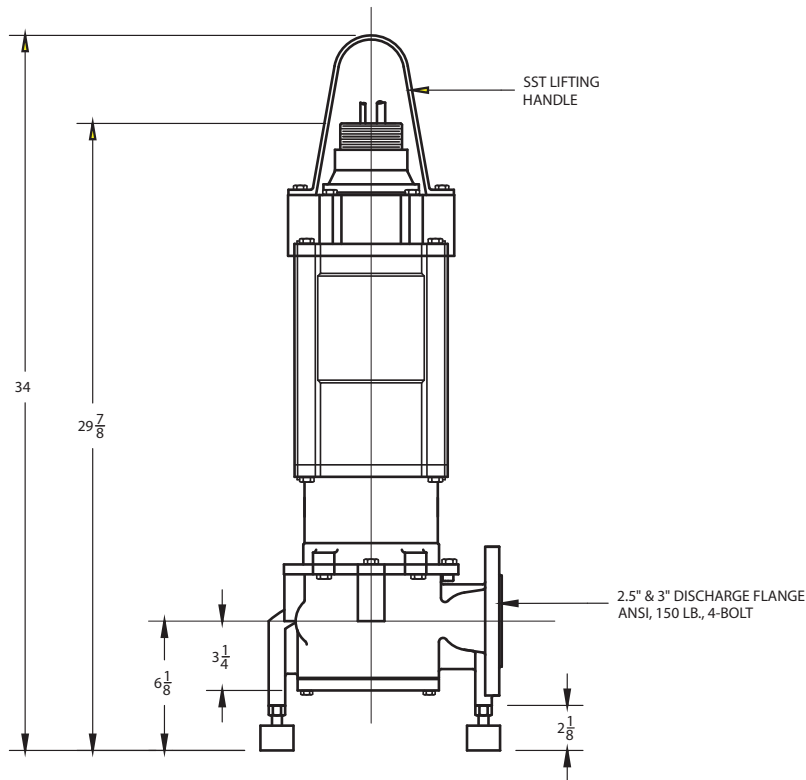
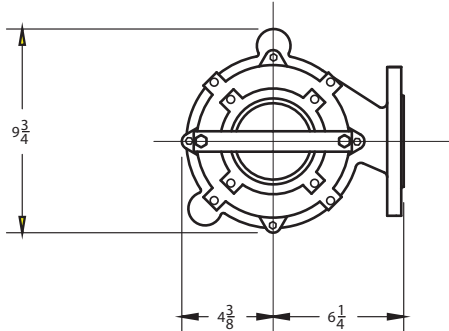
MODEL	WEIGHT - Lb
EBG2-2115(A)	83
EBG2-212C	88
EBHG2-212C	88
EBG2-21	88
EBG2-23	88
EBHG2-21	88
EBHG2-23	88



**Dimensions**

Project: \_\_\_\_\_ Model: \_\_\_\_\_ Chk'd: \_\_\_\_\_ Date: \_\_\_\_\_

**Model EB(H)G**  
 3, 5, 7.5, 10HP  
 Unit: inch



MODEL	WEIGHT – Lb (kg)
EBG-31	190
EBG-33	190
EBG-51	190
EBG-53	190
EBG-103	210
EBHG-31	190
EBHG-33	190
EBHG-51	190
EBHG-53	190
EBHG-71	190
EBHG-73	190



**Dimensions – Lift Out Dimensions**

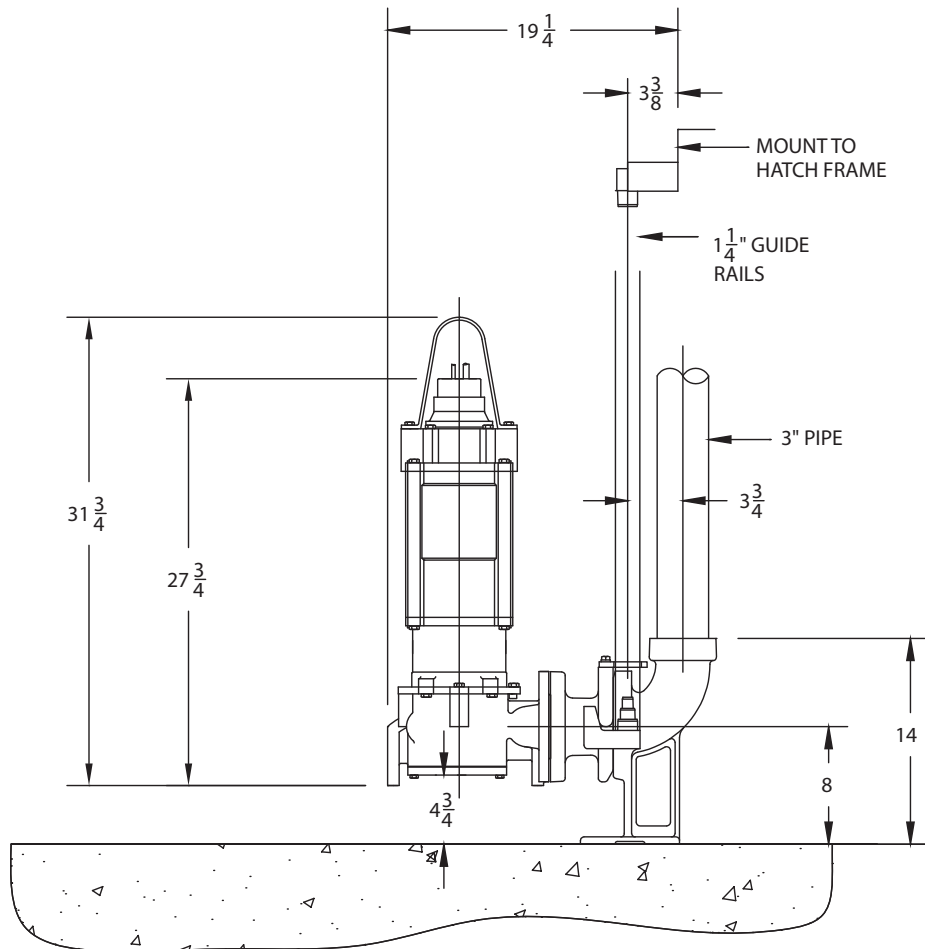
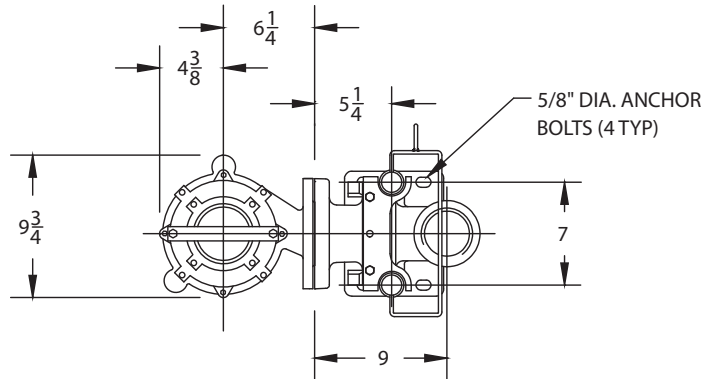
Project: \_\_\_\_\_ Model: \_\_\_\_\_ Chk'd: \_\_\_\_\_ Date: \_\_\_\_\_

**Lift Out Dimensions**

**Model EB(H)G**

3, 5, 7.5, 10HP

Unit: inch



**Dimensions**

Project: \_\_\_\_\_ Model: \_\_\_\_\_ Chk'd: \_\_\_\_\_ Date: \_\_\_\_\_

**Quick Discharge Connector Model RS1**

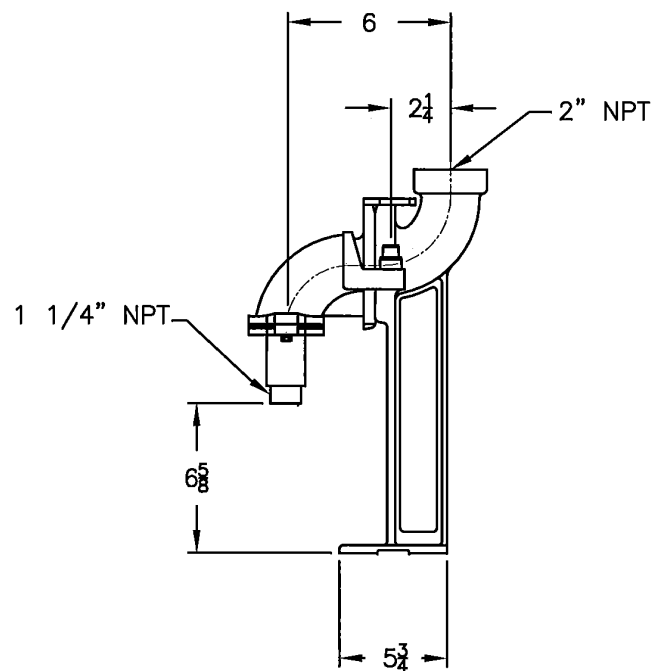
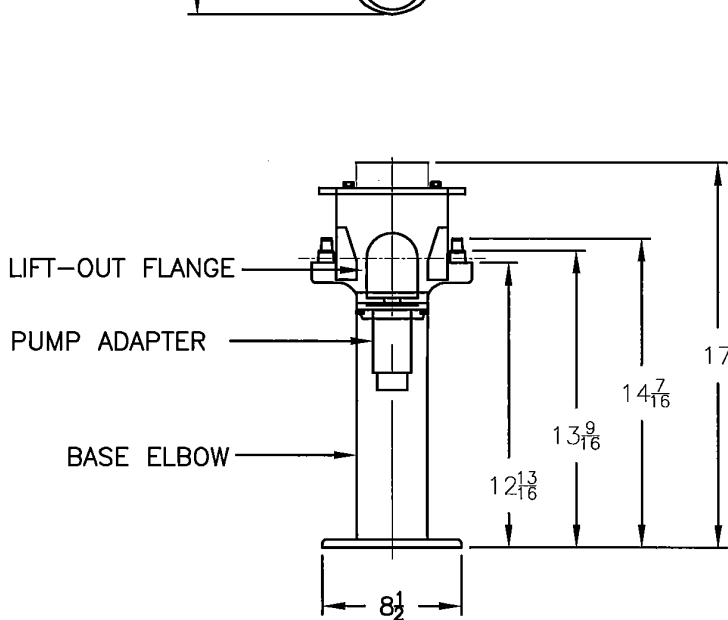
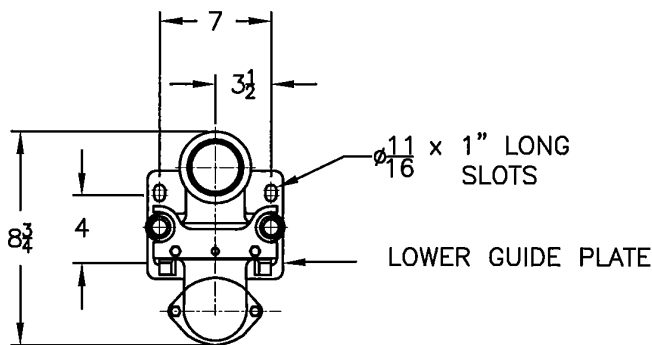
**Model EB(H)G**

EBG, 2HP

EBHG, 2HP

RS1 weight = 52 lbs

NOTE: ALL DIMENSIONS ARE IN INCHES.  
 MATERIALS OF CONSTRUCTION:  
 BASE ELBOW: CAST IRON  
 LIFT-OUT FLANGE: CAST IRON  
 LOWER GUIDE BRACKET: 304 SST  
 ALL FASTENERS ARE 304 SERIES SST  
 USEABLE RAIL SIZES:  $\frac{3}{4}$ " & 1"  
 MAXIMUM WEIGHT ALLOWANCE: 200lbs.



**Dimensions**

Project: \_\_\_\_\_ Model: \_\_\_\_\_ Chk'd: \_\_\_\_\_ Date: \_\_\_\_\_

**Quick Discharge Connector Model RS3-H**

**Model EB(H)G**

EBG, 3, 5, 10HP

EBHG, 3, 5, 7.5HP

RS3-H weight = 70 lbs

**NOTE: ALL DIMENSIONS ARE IN INCHES.**

**MATERIALS OF CONSTRUCTION:**

BASE ELBOW: CAST DUCTILE IRON

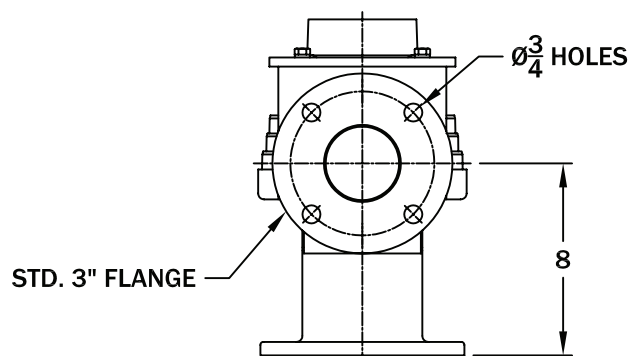
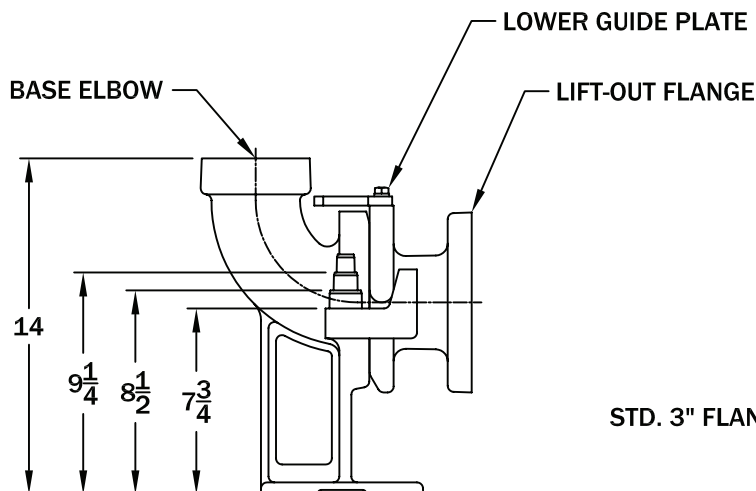
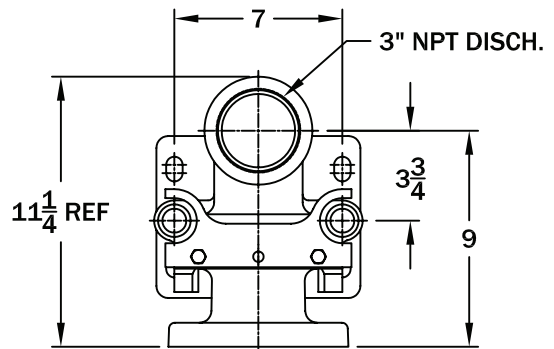
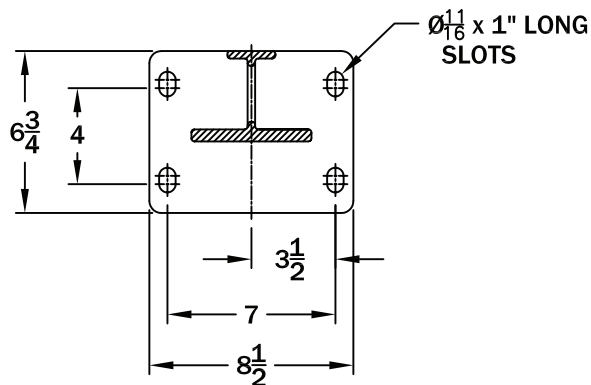
LIFT-OUT FLANGE: CAST DUCTILE IRON

LOWER GUIDE BRACKET: 304 SST

ALL FASTENERS ARE 304 SERIES SST

USEABLE GUIDE RAIL SIZES:  $\frac{3}{4}$ ", 1",  $1\frac{1}{4}$ "

**MOUNTING DIMENSIONS**

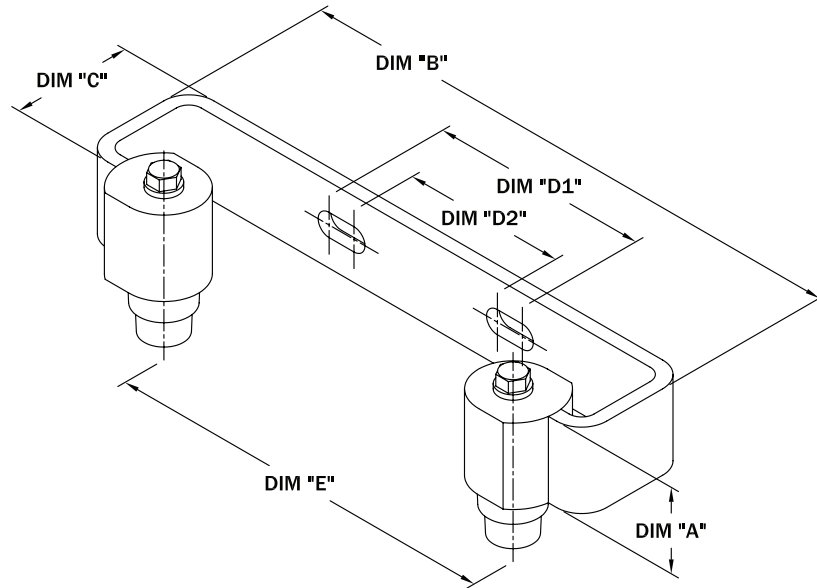


**Dimensions**

Project: \_\_\_\_\_ Model: \_\_\_\_\_ Chk'd: \_\_\_\_\_ Date: \_\_\_\_\_

**Upper Guide Brackets**

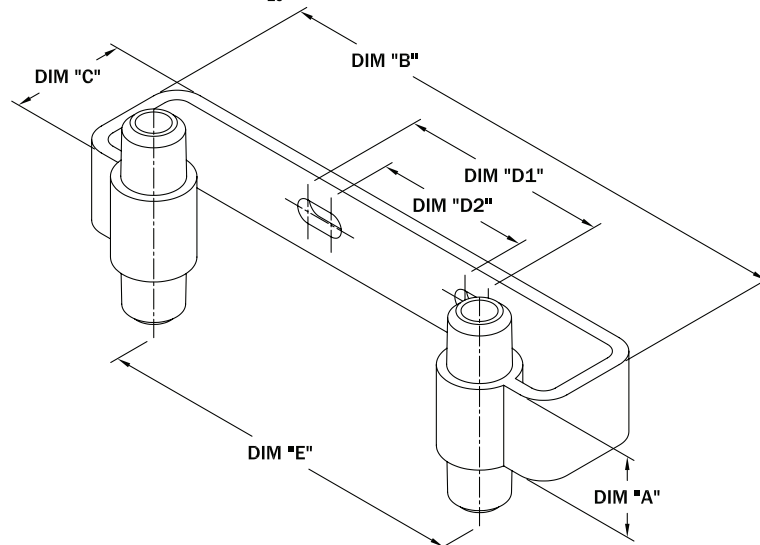
NOTE: MOUNTING SLOTS ARE  $\varnothing \frac{7}{16}$   
 ACCOMMODATES  $\frac{3}{4}$ , 1 AND 1  $\frac{1}{4}$  INCH PIPE



MODEL NO.	DIA. "A"	DIM "B"	DIM "C"	DIM "D1"	DIM "D2"	DIM "E"
UGB-SS	1 1/2"	10"	2 1/8"	3 7/8"	2 7/8"	7"

**Intermediate Guide Brackets**

NOTE: IGB-075-SS USED FOR  $\frac{3}{4}$ " RAILS  
 IGB-100-SS USED FOR 1" RAILS  
 IGB-125-SS USED FOR 1  $\frac{1}{4}$ " RAILS  
 MOUNTING SLOTS ARE  $\varnothing \frac{7}{16}$



MODEL NO.	DIA. "A"	DIM "B"	DIM "C"	DIM "D1"	DIM "D2"	DIM "E"
IGB-075-SS	1 1/2"	10"	2 1/8"	3 7/8"	2 7/8"	7"
IGB-100-SS	1 1/2"	10"	2 1/8"	3 7/8"	2 7/8"	7"
IGB-125-SS	1 1/2"	10"	2 1/8"	3 7/8"	N/A	7"