

EBARA Submersible Stainless Steel Pumps DWU, DWAU, DWXU, DWXAU – Dominator

Sectional View

Project:

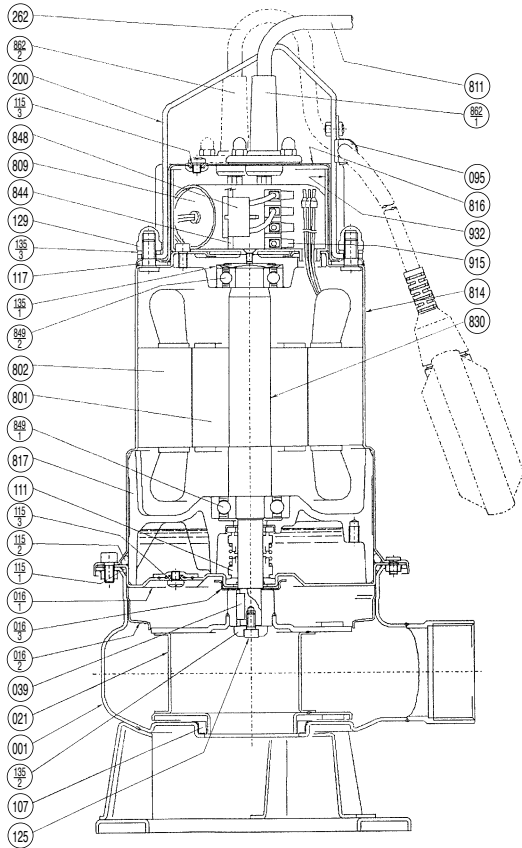
Model:

Chk'd:

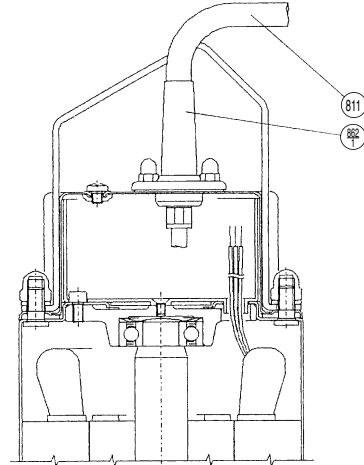
Date:

Model DWU, DWXU Manual Type
Model DWAU, DWXAU Automatic Type

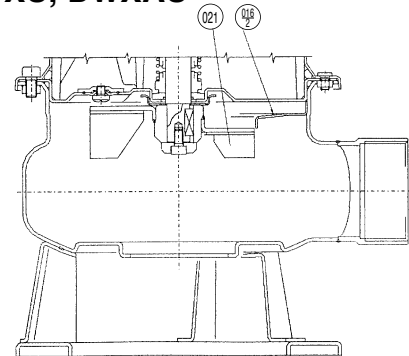
DWU, DWAU Single Phase Motor



Three Phase Motor



DWXU, DWXAU



Part No.	Part Name	Material	ASTM, AISI Code	No. for 1 Unit
001	Casing	304 SS	AISI 304	1
016-1	Casing Cover	304 SS	AISI 304	1
016-2	Disk	304 SS	AISI 304	1
016-3	Seal Support	304 SS	AISI 304	1
021	Impeller	304 SS	AISI 304	1
039	Key	304 SS	AISI 304	1
095	Float Switch Stay	—		1
107	Casing Ring	Viton		1
*111	Mechanical Seal	—		1 Set
*115-1	O-ring	Viton		1
*115-2	O-ring	Viton		1
*115-3	O-ring	Viton		3
*117	Gasket	Viton		1
125	Impeller Bolt	304 SS	AISI 304	1
129	Nut	304 SS	AISI 304	4
135-1	Washer	304 SS	AISI 304	1
135-2	Washer	304 SS	AISI 304	1
135-3	Washer	304 SS	AISI 304	4

Part No.	Part Name	Material	ASTM, AISI Code	No. for 1 Unit
200	Lifting Hanger	304 SS	AISI 304	1
262	Float Switch	—		1
801	Rotor	—		1
802	Stator	—		1
809	Capacitor	—		1
811	Submersible Cable	—		1
814	Motor Frame	304 SS	AISI 304	1
816	Bracket	304 SS	AISI 304	1
817	Bracket	304 SS	AISI 304	1
830	Shaft	304 SS	AISI 304	1
844	Motor Protector Bracket	Plastic		1
848	Motor Protector	—		1
*849-1	Ball Bearing	—		1
*849-2	Ball Bearing	—		1
862-1	Cable Connector	Rubber (NBR)		1
862-2	Cable Connector	Rubber (NBR)		1
915	External Terminal	—		1
932	Capacitor Holder	Nylon		1

Remarks:

- *Recommended spare parts.
- Part No. 095, 262, 862-2 are installed only for automatic operation models.
- Part No. 107 is installed only for model DW/DWA/DWF/DWFA single channel impeller.
- Part No. 809 is installed only for single phase models.
- Part No. 915 is installed only for three phase models.



EBARA Submersible Stainless Steel Pumps DWFU, DWFAU, DWXFU, DWXFAU– Dominator

Sectional View

Project:

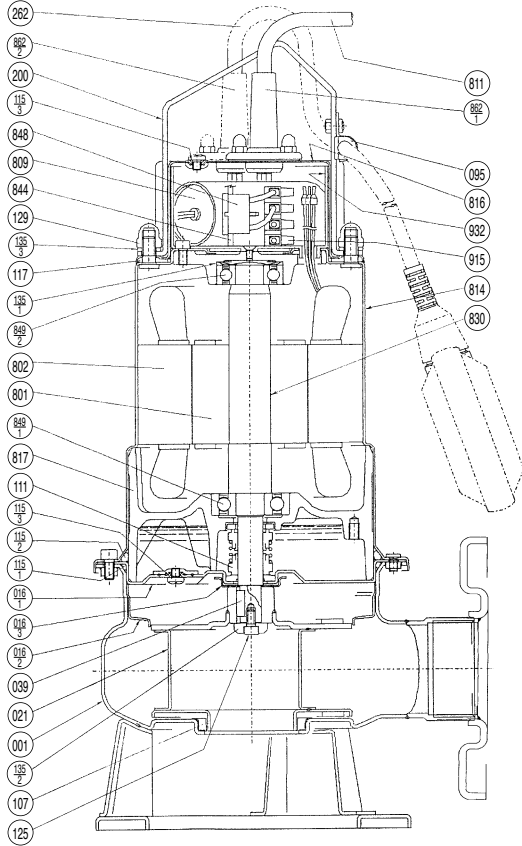
Model:

Chk'd:

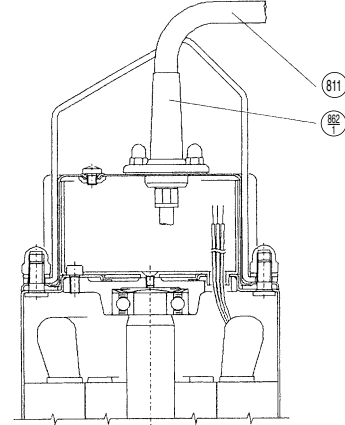
Date:

Model DWFU, DWXFU Manual Type
Model DWFAU, DWXFAU Automatic Type

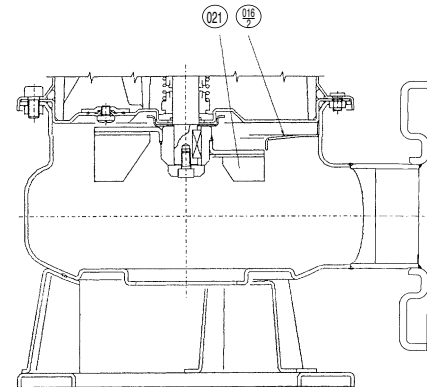
DWFU, DWFAU Single Phase Motor



Three Phase Motor



DWXFU, DWXFAU



Part No.	Part Name	Material	ASTM, AISI Code	No. for 1 Unit
001	Casing	304 SS	AISI 304	1
016-1	Casing Cover	304 SS	AISI 304	1
016-2	Disk	304 SS	AISI 304	1
016-3	Seal Support	304 SS	AISI 304	1
021	Impeller	304 SS	AISI 304	1
039	Key	304 SS	AISI 304	1
095	Float Switch Stay	—		1
107	Casing Ring	Viton		1
*111	Mechanical Seal	—		1 Set
*115-1	O-ring	Viton		1
*115-2	O-ring	Viton		1
*115-3	O-ring	Viton		3
*117	Gasket	Viton		1
125	Impeller Bolt	304 SS	AISI 304	1
129	Nut	304 SS	AISI 304	4
135-1	Washer	304 SS	AISI 304	1
135-2	Washer	304 SS	AISI 304	1
135-3	Washer	304 SS	AISI 304	4

Part No.	Part Name	Material	ASTM, AISI Code	No. for 1 Unit
200	Lifting Hanger	304 SS	AISI 304	1
262	Float Switch	—		1
801	Rotor	—		1
802	Stator	—		1
809	Capacitor	—		1
811	Submersible Cable	—		1
814	Motor Frame	304 SS	AISI 304	1
816	Bracket	304 SS	AISI 304	1
817	Bracket	304 SS	AISI 304	1
830	Shaft	304 SS	AISI 304	1
844	Motor Protector Bracket	Plastic		1
848	Motor Protector	—		1
*849-1	Ball Bearing	—		1
*849-2	Ball Bearing	—		1
862-1	Cable Connector	Rubber (NBR)		1
862-2	Cable Connector	Rubber (NBR)		1
915	External Terminal	—		1
932	Capacitor Holder	Nylon		1

Remarks:

*Recommended spare parts.
 Part No. 095, 262, 862-2 are installed only for automatic operation models.
 Part No. 107 is installed only for model DW/DWA/DWF/DWFA single channel impeller.
 Part No. 809 is installed only for single phase models.
 Part No. 915 is installed only for three phase models.