

# PPC's 1101 Single Cartridge Seal

**The Most Economical Single Cartridge Seal  
in the Industry**



**CARTRIDGE MOUNTED** Simple-quick-easy installation.

**FITS STANDARD ANSI PUMPS**

No equipment modifications, big-bore glands available.

**LARGE THROUGH FLUSH PORT** Standard for increased cooling & flow around faces.

**SELF CENTERING SPACERS** Polypropylene design requires no removal.

**ELASTOMER BELLOWS WITH SINGLE COIL SPRING** No small springs or wave washers to clog or wear out. Bellows is self cleaning and eliminates hang-up.

**UNIQUE GLAND DESIGN** Enlarged clearances at the faces. Flexible cup seat pad.

**FIELD REPAIRABLE** Low cost repair kits available.

**DESIGN SPECIFICATIONS**

Stainless Steel Metallurgy  
Carbon-Silicon Carbide or Silicon Carbide-Silicon Carbide  
FKM & EP Elastomer Options  
Maximum Pressure 150 psi  
Maximum Temperature 400 F\*  
Maximum Speed 3600 rpm

\*FKM Elastomers

*Call or write and we'll show you how to save time and money through creative engineering and expert technical service.*

1-800-731-7325 • (225)356-4333 • FAX (225)355-2126  
P.O. Box 52915 • 2769 Mission Drive  
Baton Rouge, LA 70805  
Sales@PPCMechanicalSeals.com



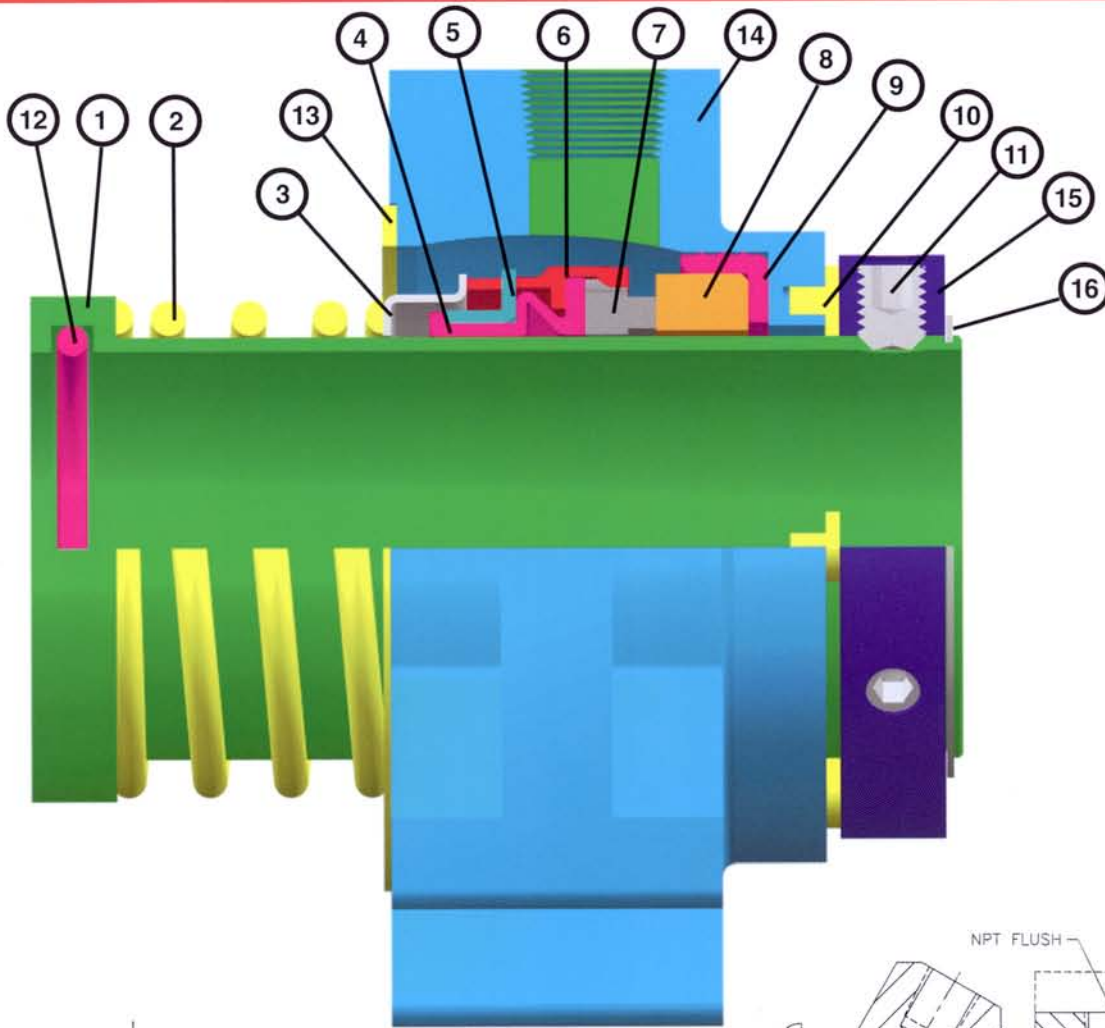
*Solutions to Mechanical  
Seal Problems*

THROUGH INNOVATIVE ENGINEERING AND EXPERT TECHNICAL SERVICE

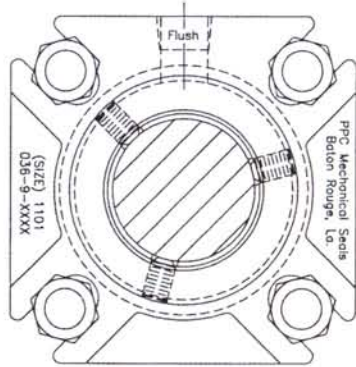


# PPC's 1101

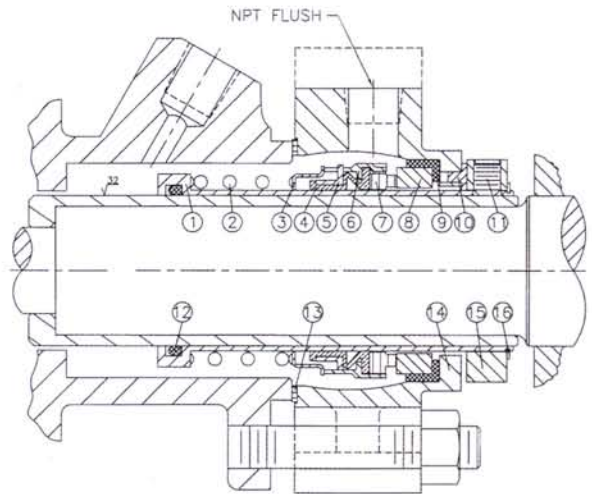
## Single Cartridge Seal



| ITEM | DESCRIPTION     |
|------|-----------------|
| 1    | SLEEVE          |
| 2    | SPRING          |
| 3    | SPRING ADAPTER  |
| 4    | BELLOWS         |
| 5    | DRIVE BAND      |
| 6    | RETAINER        |
| 7    | WASHER          |
| 8    | SEAT            |
| 9    | SEAT CUP        |
| 10   | SETTING SPACERS |
| 11   | SET SCREWS      |
| 12   | O-RING          |
| 13   | GASKET          |
| 14   | GLAND           |
| 15   | COLLAR          |
| 16   | RETAINING RING  |



END VIEW



### WARRANTY

PPC seals and seal parts are guaranteed to be free from defects in material and workmanship and are guaranteed to render satisfactory service when used for the purpose for which they are designed.



1-800-731-7325 • (225)356-4333 • FAX (225)355-2126  
P.O. Box 52915 • 2769 Mission Drive  
Baton Rouge, LA 70805  
Sales@PPCMechanicalSeals.com